

Level 1 Raised Surface Map of Israel



This map has raised surfaces, exaggerating the hills, mountains, deserts and waterways of Israel at the time Jesus lived. There are many resources for you to explore as you delve into making this material. Biblical atlases, internet searches, and Bible commentaries. However, as you make this material, keep in mind that it is meant as a material to help make an impression for the child that Jesus lived in a particular place and time in history. It is meant to help the child enter more and more into the mystery of the of their relationship and knowledge of Jesus.

Because of its size, it is a material that is not moved. It is placed in proximity to the Incarnation materials, the Infancy Narratives and in proximity to the Cenacle and the Paschal Narratives.

There are many ways to make it – with plaster, with joint compound, with paper mache, to name a few.

Begin with deciding what you will use to support the map....Find or construct a table that will specifically be used only to hold the map. The finished map should be about 24" x 18". Enlarge the map pattern provided to help you with the sizing.



These pictures show Nazareth, Bethlehem and Jerusalem on Sofia and Gianna's map of Israel.

Notice the exaggeration in the hills, the sloping mountain side, how low the Sea of Galilee is.

Notice how the rich colors enhance the various elevations.

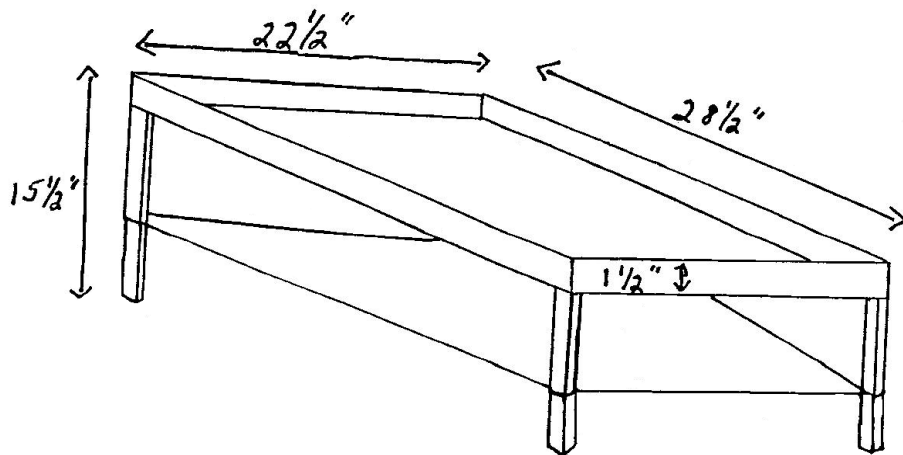
Water is blue.

Desert areas are brown.

Areas of more vegetation are green.



Level 1 Raised Surface Map of Israel



First, determine what the base/or stand will be.

Build it or finish it, so it is ready to hold your raised surface map.

The base wood should be at least .375" to .5" thick and have firm support underneath.

Enlarge a pattern of the map of Israel included in this packet to the size of your base. A local printing copy company near you can do this for you.

Begin to build up the land of Israel with the medium of your choice. Pieces of Styrofoam can be shaped and stacked on top of each another to form a mountain or hillside. Glue these pieces to the base and each other. Coat with paper mache, joint compound, or even drip and drape. Making the raised surface map requires ample time between steps so that the glue, building compound, paint, Verathane – can all dry thoroughly. As your work dries, most likely you will see areas that need some additional shaping, contouring and coating.

When you are satisfied with your map and it has thoroughly dried, it is time to paint. Use:

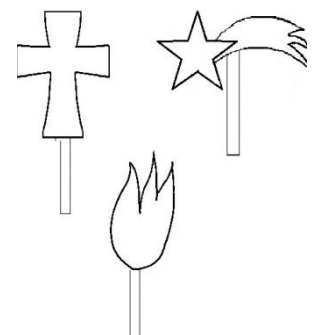
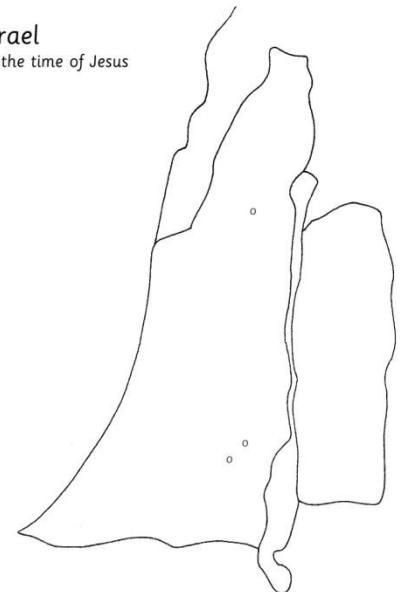
- Blue – waterways,
- Brown and tan – desert areas
- Shades of green – areas of vegetation

Make three small holes (match stick size) to be used with the flags for the Three Cities: Nazareth, Bethlehem and Jerusalem. *(If you decide to make these symbols/markers free standing, this step is not necessary.)*

Sofia and Gianna built tiny wooden villages to resemble cities that are referenced in the Bible as places where Jesus spent time during his public ministry. They glued these wooden pieces to the raised surface map.

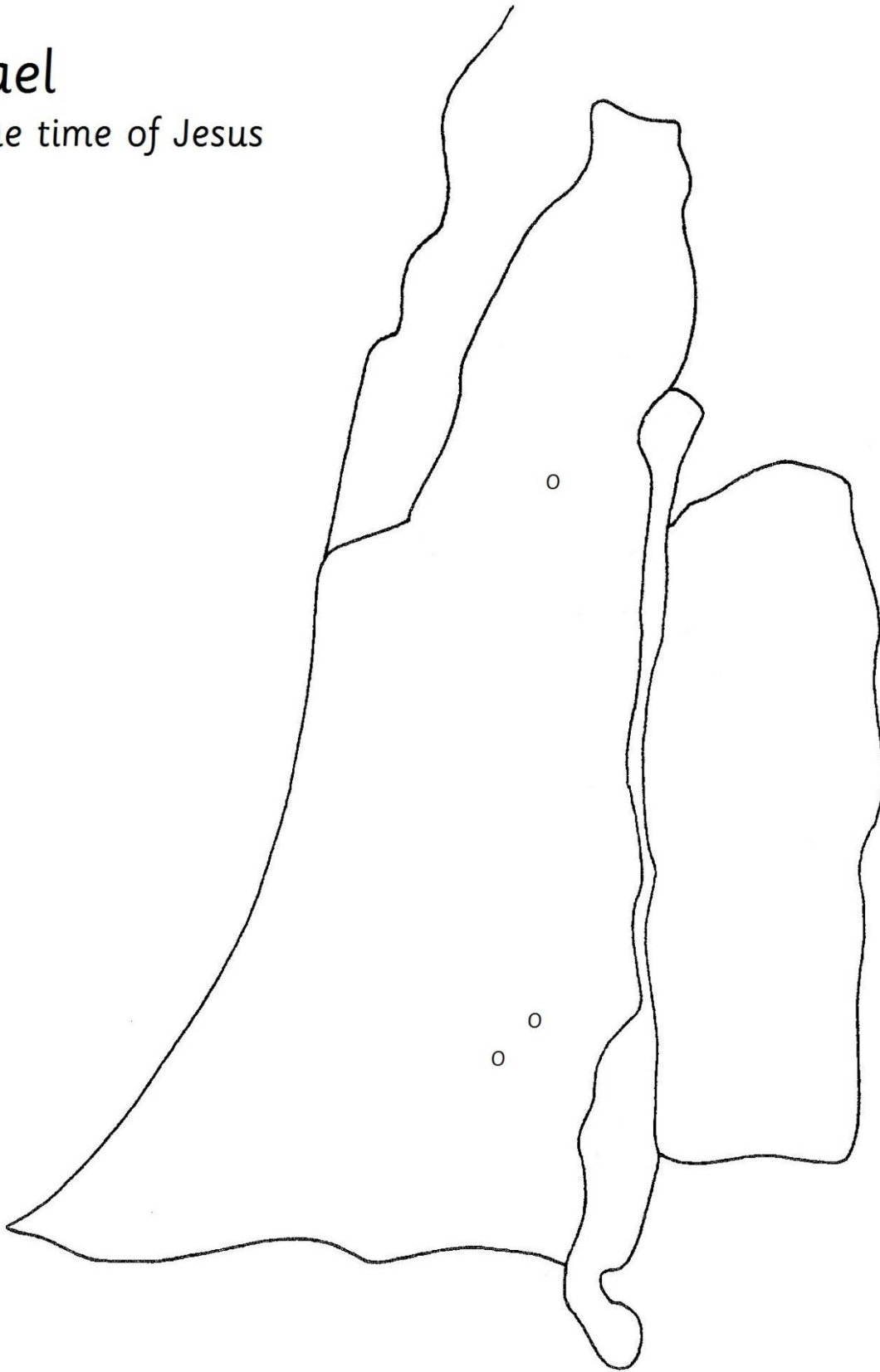
Be sure to coat your map with several coats of Verathane / polyurethane to protect the surface of the map and to make it easier to clean from time to time.

Israel
at the time of Jesus



Level 1 Raised Surface Map of Israel

Israel
at the time of Jesus



Level 1 Raised Surface Map of Israel

